

# 明和工作所の平行軸減速機

"MEIWA" PARALLEL SHAFT REDUCERS

TRANSMITTING POWER RATING TABLE (AGMA SERVICE FACTOR: 1.0, UNIT: kW)

AT HIGH SPEED SHAFT SPEED 1000 rpm

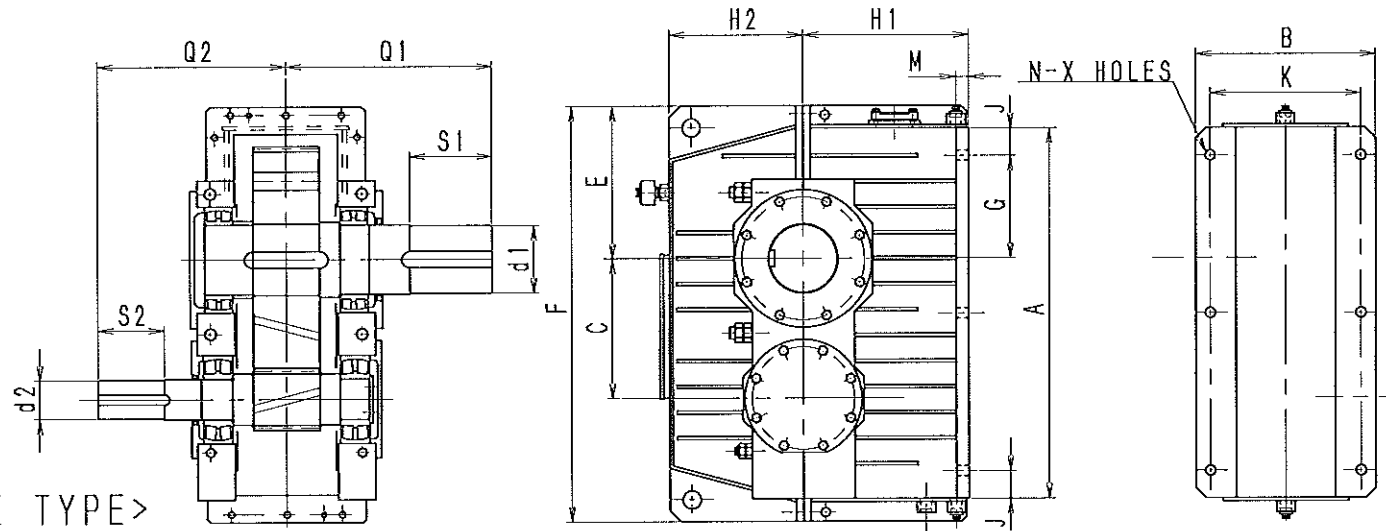
UNIT: kW

RATIO	OUTPUT	<1st STAGE TYPE MODEL SIZE>														
	RPM	HS125	HS140	HS160	HS180	HS200	HS225	HS250	HS280	HS315	HS355	HS400	HS450	HS500	HS560	HS630
3.15	315	53	75	118	154	222	290	419	563	755	1061	1471	1994	2635	3652	4675
3.55	280	47	68	98	141	202	266	374	490	672	987	1359	1745	2360	3091	4172
4	250	38	58	87	123	166	226	308	421	594	827	1103	1479	1951	2664	3701
4.5	224	33	51	75	110	145	207	265	370	517	693	966	1359	1689	2349	3229
5	200	28	44	59	89	125	163	224	321	443	602	835	1076	1432	2045	2776
5.6	180	23.2	34.9	50.3	72	102	128	166	258	355	484	698	886	1136	1765	2372
6.3	160	18.8	26.5	38.1	52	74	102	142	197	270	378	507	689	952	1298	1745

RATIO	OUTPUT	<2nd STAGE TYPE MODEL SIZE>														
	RPM	HD275	HD305	HD340	HD385	HD430	HD480	HD540	HD605	HD680	HD765	HD855	HD960	HD1080	HD1210	HD1360
10	100	48	60	89	113	176	220	322	419	626	789	1144	1500	2059	2751	3922
12.5	80	38	48	71	91	142	177	262	336	504	635	935	1209	1686	2219	3222
16	63	29.5	39	56	75	115	150	210	283	400	524	756	1001	1359	1872	2636
20	50	23.3	31.4	45	60	84	114	167	227	310	422	559	774	1084	1492	1977
25	40	18.2	25.9	35	47	66	92	131	176	246	330	437	617	855	1133	1751
31.5	31.5	12.6	19.2	27.2	36	49	71	100	136	189	247	330	479	656	882	1217

RATIO	OUTPUT	<3rd STAGE TYPE MODEL SIZE>														
	RPM	HT355	HT395	HT440	HT500	HT555	HT620	HT700	HT785	HT880	HT990	HT1105	HT1240	HT1395	HT1565	HT1760
40	25	13.4	16.8	25	32.1	52	63	96	120	181	226	353	432	646	802	1197
50	20	10.6	13.3	19.8	25.4	41.1	50	76	95	144	180	283	344	518	638	953
63	16	8.4	10.8	15.5	20.7	33.3	41.7	61	79	113	147	225	289	411	531	749
80	12.5	6.8	8.7	12.5	16.7	27	33.7	50	64	91	119	183	234	335	430	607
100	10	5.3	6.9	10.3	13.4	19.6	25.5	39.1	51	74	95	133	177	263	342	484
125	8	4.1	5.6	7.9	10.2	14.9	20.7	30.1	39.6	57	73	102	144	203	268	376
160	6.3	3.2	4.4	6.3	8.1	11.9	16.4	23.9	31.4	45.6	58	81	114	162	213	300
200	5	2.2	3.4	4.8	6.4	8.9	12.9	18.2	24.8	34.9	45.3	61	89	123	166	231

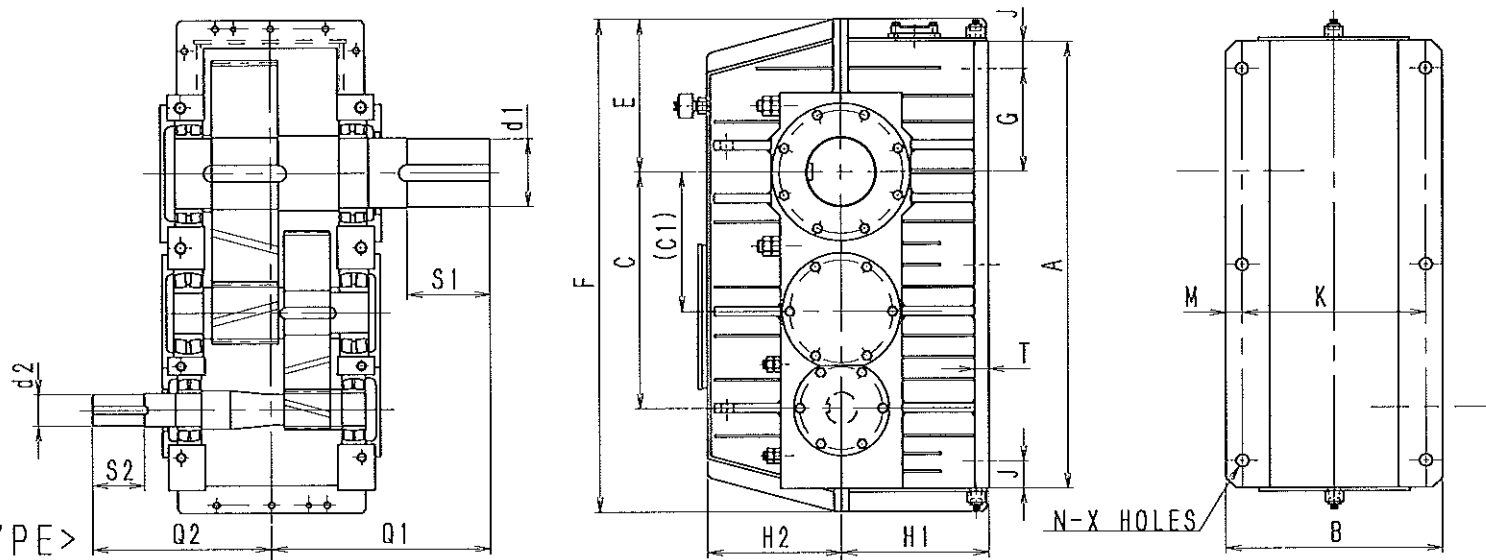
RATIO	OUTPUT	<4th STAGE TYPE MODEL SIZE>														
	RPM	HQ415	HQ460	HQ515	HQ580	HQ645	HQ720	HQ815	HQ910	HQ1020	HQ1150	HQ1285	HQ1440	HQ1620	HQ1815	HQ2040
250	4	2.2	2.7	4.0	5.2	8.4	10.2	15.7	19.5	29.5	37	58	71	108	132	198
315	3.15	1.7	2.2	3.2	4.2	7	8.6	13	16.3	23.3	30.4	48.3	60	89	111	157
400	2.5	1.4	1.8	2.6	3.4	5.6	6.9	10.5	13.1	18.8	24.5	39.1	48	72	89	126
500	2	1.1	1.4	2.1	2.7	4.1	5.2	8.2	10.4	15.6	19.6	28.3	36.5	56	71	104
630	1.6	0.9	1.1	1.7	2.2	3.2	4.1	6.5	8.2	12.4	15.4	22.4	28.8	44.6	56	83
800	1.25	0.7	0.9	1.3	1.6	2.5	3.3	5	6.4	9.5	11.8	17	23.5	34.2	43.7	64



<1st STAGE TYPE>

MODEL 'HS' REDUCERS DIMENSIONS

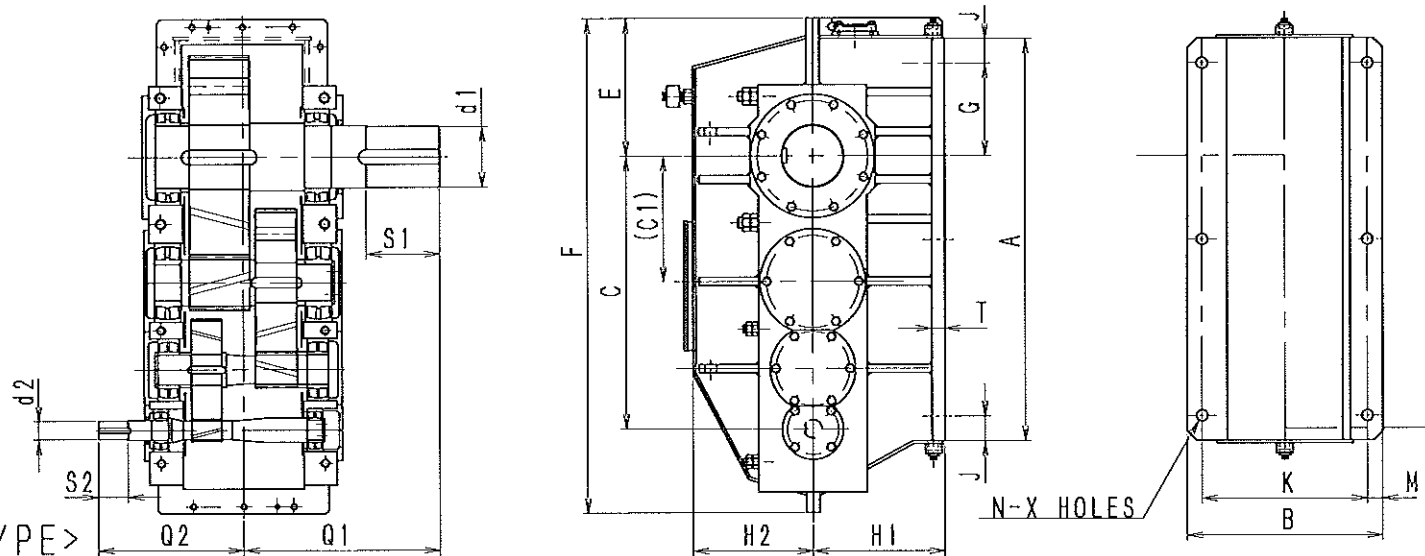
SIZE														LOW SPEED SHAFT		HIGH SPEED SHAFT			APPRX. WEIGHT (kg)	
	H1	H2	A	B	C	E	F	G	J	K	M	N	X	d1	Q1	S1	d2	Q2		S2
HS125	140 160	131	350	210	125	166	432	100	25	170	18	6	18	60	240	80	30 40	190	45	80
HS140	160 180	146	390	230	140	181	472	115	25	190	18	6	18	65	250	90	32 45	200	50	110
HS160	180 200	166	440	250	160	201	522	130	30	200	20	6	22	75	260	100	35 50	220	63	145
HS180	200 225	186	490	270	180	221	572	150	30	220	20	6	22	85	290	112	38 55	240	71	180
HS200	225 250	206	540	290	200	241	622	155	45	240	20	6	22	95	300	112	42 60	260	80	220
HS225	250 280	231	610	310	225	266	692	180	45	250	26	6	26	105	330	125	50 70	285	90	295
HS250	280 315	256	670	350	250	291	752	200	50	290	26	6	26	115	365	140	55 75	310	100	380
HS280	315 355	286	750	370	280	321	832	230	50	310	26	6	26	135	405	160	60 85	350	112	550
HS315	355 400	321	830	420	315	356	912	245	70	350	34	6	33	145	445	180	65 90	390	125	750
HS355	400 450	364	930	450	355	416	1052	280	75	380	34	6	33	165	500	200	70 100	430	140	1000
HS400	450 500	409	1040	500	400	461	1162	320	80	430	34	6	33	185	540	224	80 115	480	160	1420
HS450	500 560	459	1180	560	450	511	1302	370	80	480	38	6	39	205	595	250	90 125	535	180	1850
HS500	560 630	509	1300	610	500	574	1448	420	80	530	38	8	39	215	655	280	105 135	585	200	2500
HS560	630 710	569	1440	670	560	634	1588	470	90	590	38	8	39	245	720	315	115 155	640	224	3200
HS630	710 800	639	1600	730	630	704	1748	535	95	650	38	8	39	275	800	355	125 175	700	250	4200



<2nd STAGE TYPE>

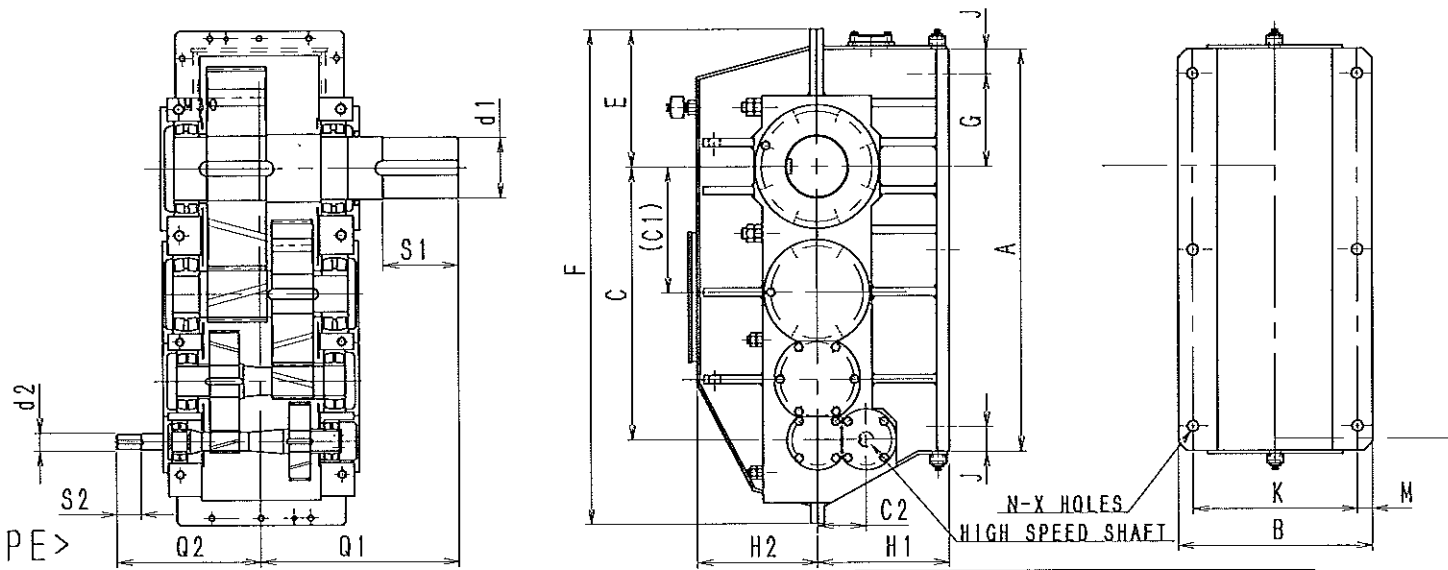
MODEL 'HD' REDUCERS DIMENSIONS

SIZE	H1	H2	A	B	C	(C1)	F	E	G	J	K	M	LOW SPEED SHAFT			HIGH SPEED SHAFT			T	N	X	APPROX. WEIGHT (kg)
													d1	Q1	S1	d2	Q2	S2				
HD275	180	166	500	290	275	160	582	201	120	40	240	25	80	270	90	28 35	215	50	20	6	22	160
HD305	200	186	580	310	305	180	662	221	135	45	260	25	90	295	100	30 40	235	56	20	6	22	210
HD340	225	206	650	330	340	200	734	241	155	45	280	25	100	320	112	32 45	255	63	20	6	22	270
HD385	250	231	730	380	385	225	812	266	175	50	320	30	110	350	125	35 50	280	71	26	6	26	360
HD430	280	256	800	410	430	250	892	291	200	50	350	30	125	400	140	38 55	310	80	26	6	26	480
HD480	315	281	900	460	480	280	982	316	225	50	380	40	135	450	160	42 60	350	90	34	6	33	680
HD540	355	311	1000	490	540	315	1082	346	245	60	410	40	155	490	180	50 65	380	100	34	6	33	900
HD605	400	349	1100	540	605	355	1222	401	280	60	460	40	165	540	200	55 75	425	112	34	6	33	1300
HD680	450	389	1270	590	680	400	1392	441	305	75	500	45	185	595	225	60 85	485	140	38	6	39	1750
HD765	500	434	1410	630	765	450	1532	486	350	75	540	45	210	655	250	65 90	540	160	38	6	39	2350
HD855	560	482	1570	700	855	500	1718	544	390	80	610	45	235	720	280	70 100	600	180	38	8	39	3200
HD960	630	532	1750	750	960	560	1898	594	440	80	660	45	255	795	315	80 115	655	200	38	8	39	4300
HD1080	710	592	1970	880	1080	630	2118	654	495	85	790	45	290	885	355	90 125	735	224	38	8	39	6100
HD1210	800	662	2200	970	1210	710	2348	724	555	95	870	50	315	975	400	105 135	810	250	42	8	45	8000
HD1360	900	742	2450	1080	1360	800	2598	804	630	100	980	50	350	1090	450	115 155	910	280	42	8	45	11500



<3rd STAGE TYPE>  
MODEL 'HT' REDUCERS DIMENSIONS

SIZE	H1	H2	A	B	C	(C1)	F	E	G	J	K	M	LOW SPEED SHAFT		HIGH SPEED SHAFT		T	N	X	APPROX. WEIGHT (kg)		
													d1	Q1	S1	d2					Q2	S2
HT355	180	166	500	290	355	160	657	201	120	40	240	25	80	270	90	20 25	200	35	20	6	22	180
HT395	200	186	580	310	395	180	727	221	135	45	260	25	90	295	100	20 30	220	40	20	6	22	230
HT440	225	206	650	330	440	200	802	241	155	45	280	25	100	320	112	25 35	240	45	20	6	22	295
HT500	250	231	730	380	500	225	897	266	175	50	320	30	110	350	125	28 35	260	50	26	6	26	390
HT555	280	256	800	410	555	250	987	291	200	50	350	30	125	400	140	30 40	285	56	26	6	26	520
HT620	315	281	900	460	620	280	1087	316	225	50	380	40	135	450	160	32 45	325	63	34	6	33	750
HT700	355	311	1000	490	700	315	1207	346	245	60	410	40	155	490	180	35 50	350	71	34	6	33	970
HT785	400	349	1100	540	785	355	1377	401	280	60	460	40	165	540	200	38 55	395	80	34	6	33	1400
HT880	450	389	1270	590	880	400	1527	441	305	75	500	45	185	595	225	42 60	435	90	38	6	39	1900
HT990	500	434	1410	630	990	450	1697	486	350	75	540	45	210	655	250	50 65	480	100	38	6	39	2550
HT1105	560	482	1570	700	1105	500	1903	544	390	80	610	45	235	720	280	55 75	530	112	38	8	39	3500
HT1240	630	532	1750	750	1240	560	2108	594	440	80	660	45	255	795	315	60 85	580	125	38	8	39	4700
HT1395	710	592	1970	880	1395	630	2348	654	495	85	790	45	290	885	355	65 90	640	140	38	8	39	6600
HT1565	800	662	2200	970	1565	710	2613	724	555	95	870	50	315	975	400	70 100	710	160	42	8	45	8700
HT1760	900	742	2450	1080	1760	800	2918	804	630	100	980	50	350	1090	450	80 115	800	180	42	8	45	12500



<4th STAGE TYPE>  
MODEL 'HQ' REDUCERS DIMENSIONS

SIZE	H1	H2	A	B	C	(C1)	C2	F	E	G	J	K	M	LOW SPEED SHAFT		HIGH SPEED SHAFT		T	N	X	APPROX. WEIGHT (kg)		
														d1	Q1	S1	d2					Q2	S2
HQ415	180	166	500	290	355	160	(60)	657	201	120	40	240	25	80	270	90	10 18	185	20	20	6	22	190
HQ460	200	186	580	310	395	180	(65)	727	221	135	45	260	25	90	295	100	12 20	205	25	20	6	22	235
HQ515	225	206	650	330	440	200	(75)	802	241	155	45	280	25	100	320	112	15 20	225	30	20	6	22	310
HQ580	250	231	730	380	500	225	(80)	897	266	175	50	320	30	110	350	125	18 22	250	35	26	6	26	410
HQ645	280	256	800	410	555	250	(90)	987	291	200	50	350	30	125	400	140	20 25	275	40	26	6	26	550
HQ720	315	281	900	460	620	280	(100)	1087	316	225	50	380	40	135	450	160	20 30	310	45	34	6	33	780
HQ815	355	311	1000	490	700	315	115	1207	346	245	60	410	40	155	490	180	25 35	330	50	34	6	33	1000
HQ910	400	349	1100	540	785	355	125	1377	401	280	60	460	40	165	540	200	28 35	370	56	34	6	33	1450
HQ1020	450	389	1270	590	880	400	140	1527	441	305	75	500	45	185	595	225	30 40	415	63	38	6	39	1950
HQ1150	500	434	1410	630	990	450	160	1697	486	350	75	540	45	210	655	250	32 45	450	71	38	6	39	2650
HQ1285	560	482	1570	700	1105	500	180	1903	544	390	80	610	45	235	720	280	35 50	500	80	38	8	39	3600
HQ1440	630	532	1750	750	1240	560	200	2108	594	440	80	660	45	255	795	315	38 55	550	90	38	8	39	4850
HQ1620	710	592	1970	880	1395	630	225	2348	654	495	85	790	45	290	885	355	42 60	600	100	38	8	39	6800
HQ1815	800	662	2200	970	1565	710	250	2613	724	555	95	870	50	315	975	400	50 65	670	112	42	8	45	9000
HQ2040	900	742	2450	1080	1760	800	280	2918	804	630	100	980	50	350	1090	450	55 75	750	125	42	8	45	13000