

**明和工作所の遊星減速機**  
**"MEIWA" PRANETARY REDUCERS**

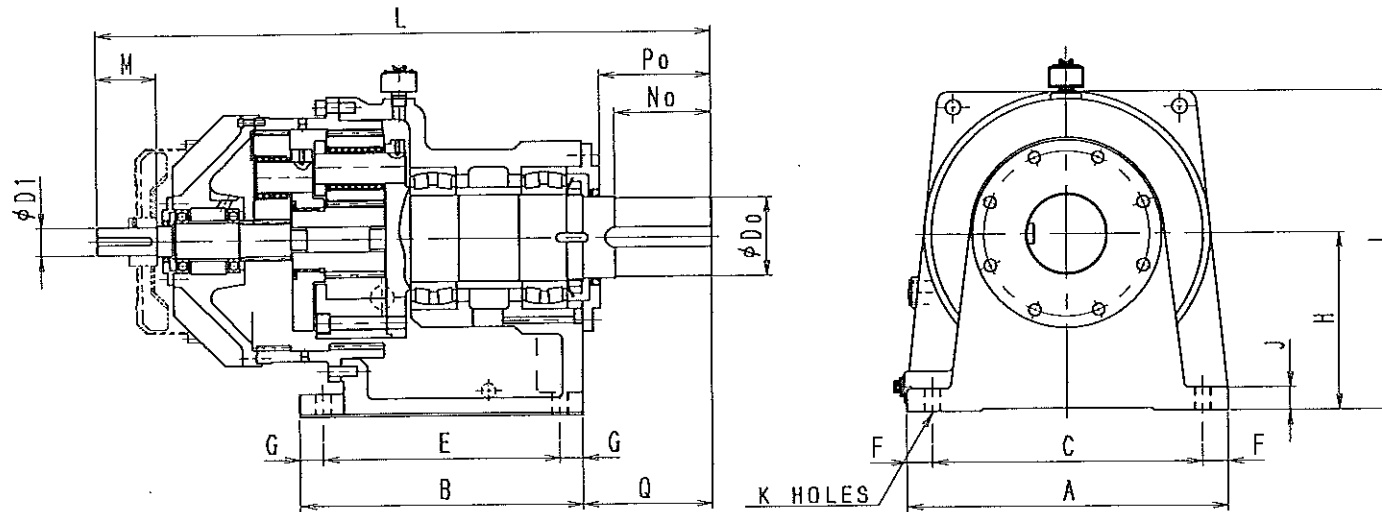
TRANSMITTING POWER RATING TABLE (AGMA SERVICE FACTOR: 1.0, UNIT: kW)  
 AT HIGH SPEED SHAFT SPEED 1000 rpm

UNIT: kW

RATIO	OUTPUT RPM	<1st STAGE TYPE MODEL SIZE>								
		SP-01	SP-02	SP-03	SP-04	SP-05	SP-06	SP-07	SP-08	SP-09
4	250	29.6	52.6	89	146	225	346	593	977	1497
5.6	180	9.6	16.2	23.5	44.4	75.8	108	179	295	505
7.1	140	5.8	10.7	14.1	27	46.2	68.9	109	182	312

RATIO	OUTPUT RPM	<2nd STAGE TYPE MODEL SIZE>								
		DP-01	DP-02	DP-03	DP-04	DP-05	DP-06	DP-07	DP-08	DP-09
10	100	13.4	24	40.8	67.9	105	163	282	469	726
12.5	80	11	19.7	33.6	55.9	86.7	135	234	389	604
16	63	8.8	15.8	27	45	69.9	109	189	316	491
20	50	7.2	12.9	22.1	36.9	57.4	89.4	156	261	406
25	40	5.8	10.5	18	30.1	47	73.4	128	215	335
31.5	31.5	4.6	8.4	14.4	24.1	37.6	58.8	103	173	270

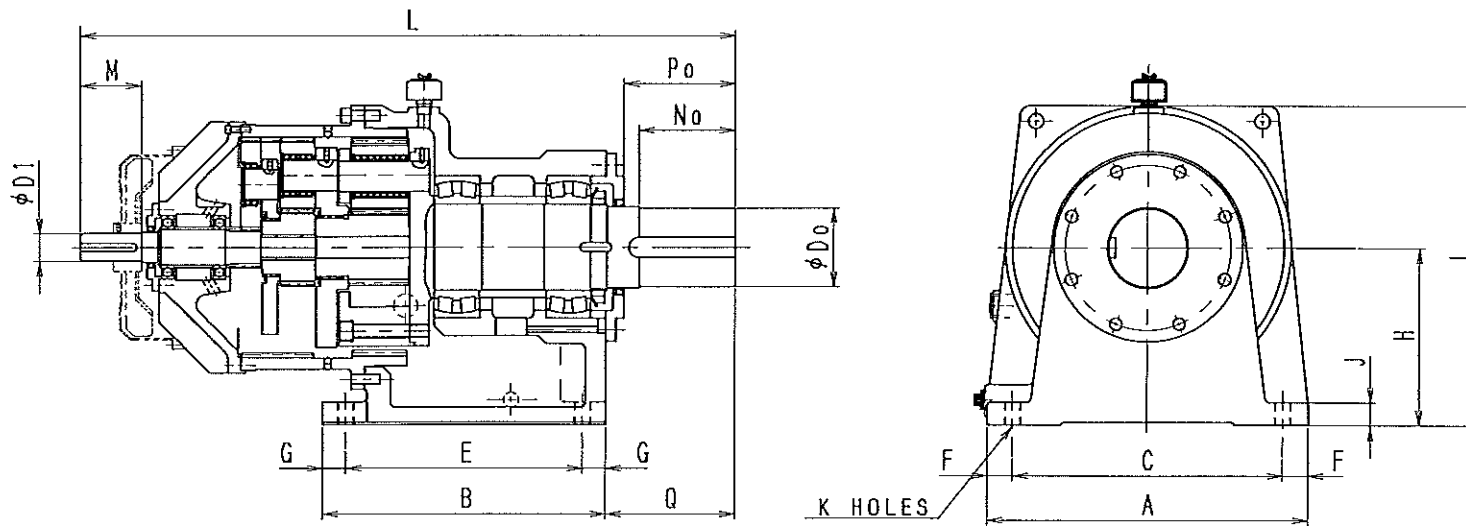
RATIO	OUTPUT RPM	<3rd STAGE TYPE MODEL SIZE>								
		TP-01	TP-02	TP-03	TP-04	TP-05	TP-06	TP-07	TP-08	TP-09
40	25	3.8	6.8	11.7	19.6	30.7	48	84.2	142	222
50	20	3.1	5.5	9.5	16	25	39.2	68.8	116	182
63	16	2.5	4.5	7.7	13	20.3	31.9	56.1	94.7	149
80	12.5	2	3.5	6.1	10.3	16.2	25.4	44.6	75.5	119
100	10	1.6	2.9	4.9	8.3	13.1	20.6	36.3	61.4	96.7
125	8	1.3	2.3	4	6.7	10.6	16.7	29.4	49.9	78.7
160	6.3	1.0	1.8	3.2	5.3	8.4	13.2	23.3	39.6	62.5
200	5	0.8	1.5	2.5	4.3	6.8	10.7	18.9	32	50.7



<2nd STAGE TYPE>

MODEL 'DP' PLANETARY REDUCERS DIMENSIONS

SIZE	A	B	C	E	F	G	H	I	J	K	Do	No	Po	Q	D1	M	L	APPROX. WEIGHT kg
DP-01	250	220	210	180	20	20	135	245	20	4-14	65	90	110	130	30	40	580	70
DP-02	280	240	230	200	25	20	150	280	20	4-14	75	100	120	140	35	45	615	100
DP-03	330	270	280	220	25	25	175	320	25	4-18	80	115	130	150	40	50	680	140
DP-04	390	320	320	260	30	30	205	378	30	4-22	85	125	140	160	45	63	730	220
DP-05	460	400	390	320	35	40	240	450	35	4-26	115	150	170	190	50	71	850	360
DP-06	530	440	450	350	40	45	300	530	40	4-26	135	170	200	225	55	80	1000	550
DP-07	630	550	530	460	50	45	350	630	45	4-33	155	190	230	255	60	90	1230	900
DP-08	750	640	630	520	60	60	430	780	55	4-33	195	250	320	350	80	112	1300	1300
DP-09	900	700	760	540	70	80	500	910	65	4-39	235	300	360	390	105	125	1400	2100
DP-10	1000	850	840	690	80	80	600	1070	75	6-39	265	350	430	460	115	140	1630	3200



<3rd STAGE TYPE>

MODEL 'TP' PLANETARY REDUCERS DIMENSIONS

SIZE	A	B	C	E	F	G	H	I	J	K	Do	No	Po	Q	D1	M	L	APPROX. WEIGHT Kg
TP-01	250	220	210	180	20	20	135	245	20	4-14	65	90	110	130	25	35	610	75
TP-02	280	240	230	200	25	20	150	280	20	4-14	75	100	120	140	30	40	655	110
TP-03	330	270	280	220	25	25	175	320	25	4-18	80	115	130	150	35	45	700	160
TP-04	390	320	320	260	30	30	205	378	30	4-22	85	125	140	160	40	50	750	250
TP-05	460	400	390	320	35	40	240	450	35	4-26	115	150	170	190	45	63	880	400
TP-06	530	440	450	350	40	45	300	530	40	4-26	135	170	200	225	50	71	1050	600
TP-07	630	550	530	460	50	45	350	630	45	4-33	155	190	230	255	55	80	1300	950
TP-08	750	640	630	520	60	60	430	780	55	4-33	195	250	320	350	60	90	1360	1400
TP-09	900	700	760	540	70	80	500	910	65	4-39	235	300	360	390	70	100	1470	2250
TP-10	1000	850	840	690	80	80	600	1070	75	6-39	265	350	430	460	80	112	1700	3400